



MOTORSAZAN

4.248TG1 GENSET POWER



Performance

Engine speed rev/min	Type of operation	Typical generator output(net) kVA	Engine Power	
			kW	bhp
1500	Prime power	57.3	51	68.3
	Standby power	63	56	75



Motorsazan company is certified by TUV NORD for conformity with ISO /TS/16949, ISO 9001, ISO18001, ISO 14001 standards

All ratings based on operating under ISO 3046 condition using typical fan sizes and drive ratios. For operation outside of these condition please consult with Motorsazan company. Performance tolerance quoted by Motorsazan is $\pm 5\%$.

Electrical ratings assume a power factor of 0.8 and a generator efficiency of 90%.

Fuel specification: BS2869 Part 2 1998 Class A2 or ASTM D975 D2.

Rating Definitions:

Prime power: Power available at variable load in lieu of main power network. An overload of 10% is permitted for one hour in every twelve hours of operation.

Standby power: Power available at variable load in the event of a main power network failure. No overload is permitted.

Standard Specifications

Air filter:

Mounted air filter

Fuel system:

Rotary fuel injection pump
Mechanical governing
Single cartridge fuel filter and prefilter
Sedimenter/Water trap filter supplied loose

Lubrication system:

Gray cast iron oil-sump with filler and dipstick
Spin-on full-flow oil filter

Cooling system:

Belt driven circulating pump
20" belt driven, pusher type, metal fan
Mounted radiator and pipework
Lubricating oil cooler

Electrical equipment:

12 volt starter motor
12 volt 55 Amp alternator with DC output
Switch for oil pressure
12 volt shut down solenoid energized to run
Thermostart cold start aid

Flywheel and Housing:

High inertia flywheel to SAE J620 size 10/11 1/2
Cast iron SAE3 flywheel housing

Mountings:

Front mounting brackets

Optional equipment:

Coolant temperature gauge
Lubrication oil pressure gauge and sender
Heater/Starter switch
Flywheel and coupling suitable for double bearing alternators
Rear mounting brackets

Fuel consumption litres / hour	
Power rating	1500 rev/min
Standby power	14.2
Prime power	12.3
75% of prime power	9.3
50% of prime power	6.7

Basic technical data

Number of cylinder: 4

Cylinder arrangement: Vertical, in line

Cycle: 4 stroke

Induction system: turbocharged

Cubic capacity: 4.06 litres (248 cu-in)

Bore: 101 mm (3.975 in)

Stroke: 127 mm (5 in)

Compression ratio: 16:1

Direction of rotation: Clockwise viewed from front

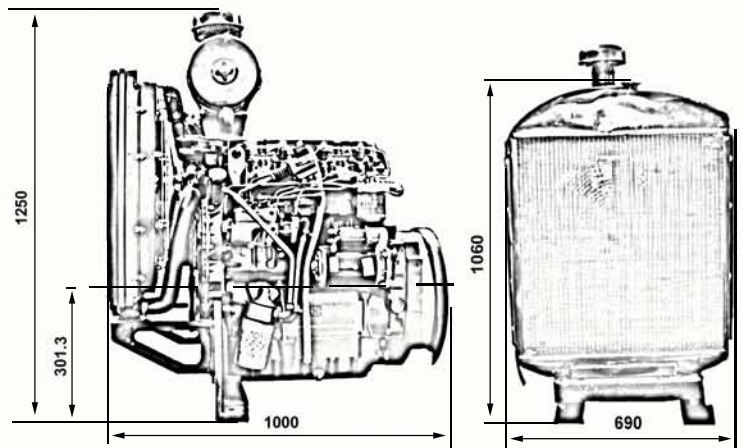
Firing order: 1,3,4,2

Total lubrication system capacity: 7.5 litres

Coolant capacity (including radiator): 16 liters

Engine total weight (dry): 435 kg

Engine total weight (wet): 458 kg



All dimensions are in mm

Factory address:

Motorsazan Co., ITMCO Complex, Sardroud Road,
Tabriz-Iran, P.O.BOX 51845-337

Tel: +98(411) 4248000

Fax: +98(411) 4245945-46

Website: www.motorsazan.ir

Email: mail@motorsazan.ir

• The illustrations may include some optional equipments.

• Motorsazan reserves the right to modify product specifications without prior notice.